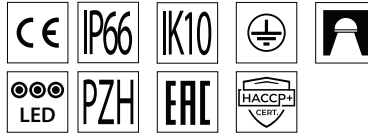


Flash New LED



The luminaire FLASH NEW LED was designed for lighting high rooms where possibly the best energy efficiency is the most important matter.

For a separate module, installation parts have to be additionally ordered. For example:

- ceiling-mounted or suspended version: one 128 W module and, additionally, one 1x bracket, two 128 W modules and one 2x bracket,
- suspended version: additionally suspension,
- recessed version: 128 W module and, additionally, one 1x bracket, suspension and masking frame for plaster-cardboard (G/K) ceilings,
- wall-mounted version: 128 W module and, additionally, 1x adjustable wall bracket.

Materials: aluminium profile body (standard colour: black), tempered glass painted grey, COB LEDs, aluminium reflectors available with three angles of light distribution, powder painted 1x or 2x steel bracket (standard colour: black), aluminium frame for plaster card-board ceilings – G/K (standard colour: black).

Installation: surface- or wall-mounted, suspended, recessed

Accessories: masking frame for plaster-card-board ceilings, 1x or 2x bracket (for surface-mounted or suspended version), wall bracket (for wall version), suspension

Power: 230V

ELECTRICAL DATA

Light source	LED
Type of equipment	AC
Voltage rating	220 ... 240 V
Light source included	Yes
Power factor	0.96

MECHANICAL DATA

Type of installation	Universal
Housing material	Aluminum

INFORMATION

Colour	Black
Operating temperature range	-25 ... 40 °C



CERTIFICATES

Degree of protection (IP)	IP66
Degree of protection (IP) /top/	IP66
Impact resistance	IK10
Class of protection	I
Light source protection	Yes
CE	Yes
PZH	Yes
HACCP+	Yes
EAC	Yes

LIGHT DATA

Light colour	White
Color rendering index	80
Light distribution	DI
Class of luminaire	I
Light output degradation	B10
Lumen maintenance	L90
Lifetime	> 60000 h
MacAdam	SDCM 3
Lamp Lumen Maintenance Factor (after 60 000h)	90 %
Colour temperature	4000K

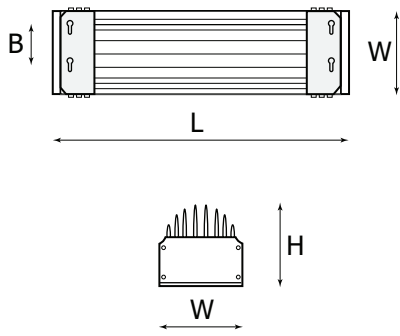
OPTICAL DATA

Louver/ shutter	SH
Diffuser colour	Grey
Diffuser material	Transparent glass
Reflector	High gloss

AVAILABLE VARIANTS

Luminaire power [W]	LED modules	Luminaire luminous flux [lm]	Luminaire's luminous efficacy [lm/W]	Beam angle [°]	Weight [kg]	ON/OFF	DALI
128	5x	17790	139	30	5.20	AD001.3366.840.A000	AD001.3366.840.D000
128	5x	17900	140	50	5.20	AD002.3366.840.A000	AD002.3366.840.D000
128	5x	18200	142	70	5.20	AD003.3366.840.A000	AD003.3366.840.D000
166	6x	23010	139	30	6.60	AD004.3366.840.A000	AD004.3366.840.D000
166	6x	23160	140	50	6.60	AD005.3366.840.A000	AD005.3366.840.D000
166	6x	23550	142	70	6.60	AD006.3366.840.A000	AD006.3366.840.D000
78	3x	10670	137	30	3.60	AD007.3366.840.A000	AD007.3366.840.D000
78	3x	10740	138	50	3.60	AD008.3366.840.A000	AD008.3366.840.D000
78	3x	10920	140	70	3.60	AD009.3366.840.A000	AD009.3366.840.D000
103	4x	14230	138	30	4.20	AD010.3366.840.A000	AD010.3366.840.D000
103	4x	14320	139	50	4.20	AD011.3366.840.A000	AD011.3366.840.D000
103	4x	14560	141	70	4.20	AD012.3366.840.A000	AD012.3366.840.D000
193	7x	26850	139	30	7.40	AD013.3366.840.A000	AD013.3366.840.D000
193	7x	27020	140	50	7.40	AD014.3366.840.A000	AD014.3366.840.D000
193	7x	27470	142	70	7.40	AD015.3366.840.A000	AD015.3366.840.D000





DIMENSIONS

L [mm]	W [mm]	H [mm]	5x	6x	3x	4x	7x
610	130	110	AD001.3366.840.A000 AD001.3366.840.D000 AD002.3366.840.A000 AD002.3366.840.D000 AD003.3366.840.A000 AD003.3366.840.D000				
720	130	110		AD004.3366.840.A000 AD004.3366.840.D000 AD005.3366.840.A000 AD005.3366.840.D000 AD006.3366.840.A000 AD006.3366.840.D000			
390	130	110			AD007.3366.840.A000 AD007.3366.840.D000 AD008.3366.840.A000 AD008.3366.840.D000 AD009.3366.840.A000 AD009.3366.840.D000		
500	130	110				AD010.3366.840.A000 AD010.3366.840.D000 AD011.3366.840.A000 AD011.3366.840.D000 AD012.3366.840.A000 AD012.3366.840.D000	
830	130	110					AD013.3366.840.A000 AD013.3366.840.D000 AD014.3366.840.A000 AD014.3366.840.D000 AD015.3366.840.A000 AD015.3366.840.D000

L = Length | W = Width | H = Height / Depth

ACCESSORIES

Diffuser / Protection grid



Flash New Led Grid

FL007.33.00X3	IK10; x3	Black
FL007.33.00X4	IK10; x4	Black
FL007.33.00X5	IK10; x5	Black
FL007.33.00X6	IK10; x6	Black
FL007.33.00X7	IK10; x7	Black

Structural element

Flash New LED - box for driver
Pieces in set: 1

FL008.00.0000 PX2063870	Only for: 3x, 4x, 5x versions	Black
----------------------------	----------------------------------	-------



Flash New LED Masking frame

FL006.11.00X4	x4	White
FL006.33.00X4	x4	Black
FL006.11.00X5	x5	White
FL006.33.00X5	x5	Black
FL006.11.00X6	x6	White
FL006.33.00X6	x6	Black

Installation element



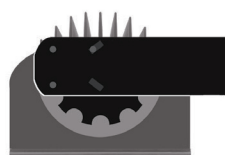
Flash New LED Bracket 1x

FL004.33.0000 PX2063890	Black
----------------------------	-------



Flash LED Suspension

FS007.00.2000 PX2063894	Metallic
----------------------------	----------



Flash New LED Wall bracket

FB011.33.0000 PX2063899	regulation every 15 degrees	Black
----------------------------	--------------------------------	-------

Installation element



Flash New LED Bracket 2x adjustable

FL005.33.00X4	Flash New 4x LED	Black
FL005.33.00X5	Flash New 5x LED	Black
FL005.33.00X6	Flash New 6x LED	Black
FL005.33.00X7	Flash New 7x LED	Black

FLASH NEW LED 5xLED



FLASH NEW LED 5xLED + PX2063893



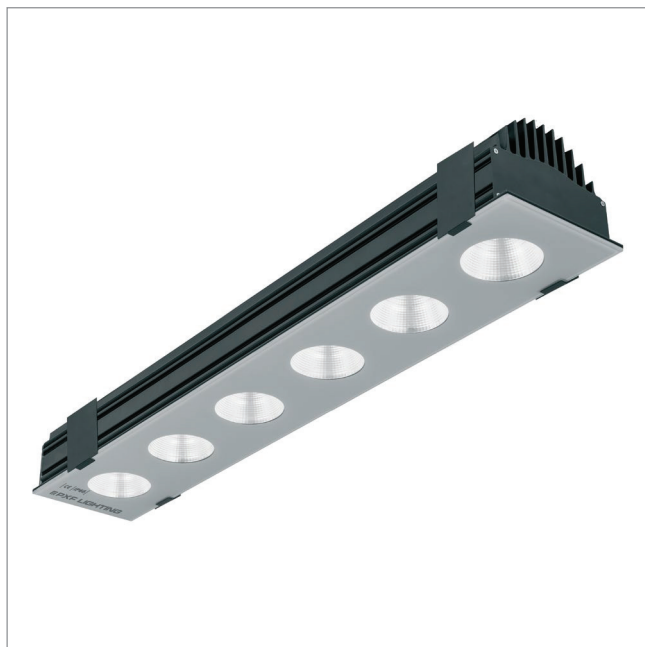
FLASH NEW LED 3xLED



FLASH NEW LED 4xLED



FLASH NEW LED 6xLED



FLASH NEW LED 7xLED



