



Greenlight LED



Head of luminaire designed for LED light sources in the form of a rectangle pillar. Various dimensions and slopes available as a standard. Perfect solution for discreet lighting of building surroundings, paths and gardens.

Head GREENLIGHT I - 115° - dimensions of cross-section 100x50mm

Head GREENLIGHT I - 90° - dimensions of cross-section 100x50mm

Head GREENLIGHT II - 115° - dimensions of cross-section 60x50mm

Materials: Housing made of aluminum profile painted with paint resistant to external conditions (standard color: graphite, other colors on request), frosted tempered glass. Info: luminaire = head of luminaire + pole (accessories)

Installation: For the ground

Accessories: Pole: h=500mm, h=1000mm, h=1800mm

Power: 230 V

ELECTRICAL DATA

Light source	LED
Luminaire power	9W
Number of light sources	1
Light source power	9W
Type of equipment	Not required
Voltage rating	220 ... 240 V
Light source included	Yes

MECHANICAL DATA

Type of installation	Pole mounted
Housing material	Aluminum

INFORMATION

Colour	Anthracite
Operating temperature range	-20 ... 40 °C



CERTIFICATES

Degree of protection (IP)	IP65
Degree of protection (IP) / top/	IP65
Impact resistance	IK08
Class of protection	I
Light source protection	Yes
CE	Yes
HACCP+	Yes
EAC	Yes

LIGHT DATA

Light colour	White
Color rendering index	80
Light distribution	Mid beam
Light distribution	DI
Class of luminaire	I
Light output degradation	B50
Lumen maintenance	L70
Lifetime	> 50000 h
MacAdam	SDCM 3
Lamp Lumen Maintenance Factor (after 60 000h)	75 %

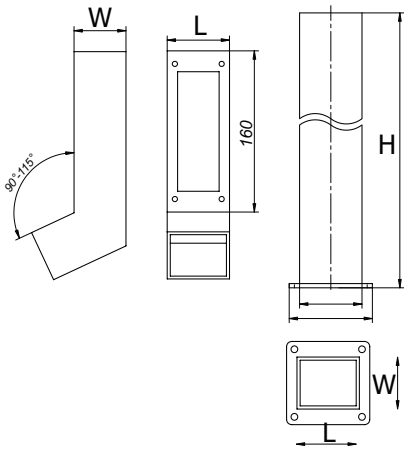
OPTICAL DATA

Louver/ shutter	SH MAT
Diffuser colour	Transparent
Diffuser material	Opal glass
Reflector	High gloss

AVAILABLE VARIANTS

Product code	Luminaire luminous flux [lm]	Luminaire's luminous efficacy [lm/W]	Colour temperature	Info	Weight [kg]
AH001.4489.830.A000 PX4059001	480	53	3000K	115° 50X60	0.90
AH001.4489.840.A000 PX4059008	490	54	4000K	115° 50X60	0.90
AH002.4489.830.A000 PX4059015	480	53	3000K	90° 50X100	1.10
AH002.4489.840.A000 PX4059022	490	54	4000K	90° 50X100	1.10
AH003.4489.830.A000 PX4059029	480	53	3000K	115° 50X100	1.10
AH003.4489.840.A000 PX4059036	490	54	4000K	115° 50X100	1.10





DIMENSIONS

Product code	L [mm]	W [mm]	H [mm]
AH001.4489.830.A000 PX4059001	60	50	170
AH001.4489.840.A000 PX4059008	60	50	170
AH002.4489.830.A000 PX4059015	100	50	120
AH002.4489.840.A000 PX4059022	100	50	120
AH003.4489.830.A000 PX4059029	100	50	170
AH003.4489.840.A000 PX4059036	100	50	170

L = Length | W = Width | H = Height / Depth

ACCESSORIES

Structural element



Greenlight pole 50x60
Pieces in set: 1

FL017.44.0500
PX4059043

H=50cm

Anthracite

FL017.44.1000
PX4059050

H=100cm

Anthracite



Greenlight pole 50x100
Pieces in set: 1

FL025.44.0500
PX4059057

H=50cm

Anthracite

FL025.44.1000
PX4059064

H=100cm

Anthracite

FL025.44.1800
PX4059071

H=180cm

Anthracite

Installation element



Greenlight podstawa

FL019.00.0000
PX4059078

50x60 for
concrete

Grey

FL026.00.0000
PX4059085

50x100 for
concrete

Grey

FL020.00.0000
PX4059092

50x60 to the
ground

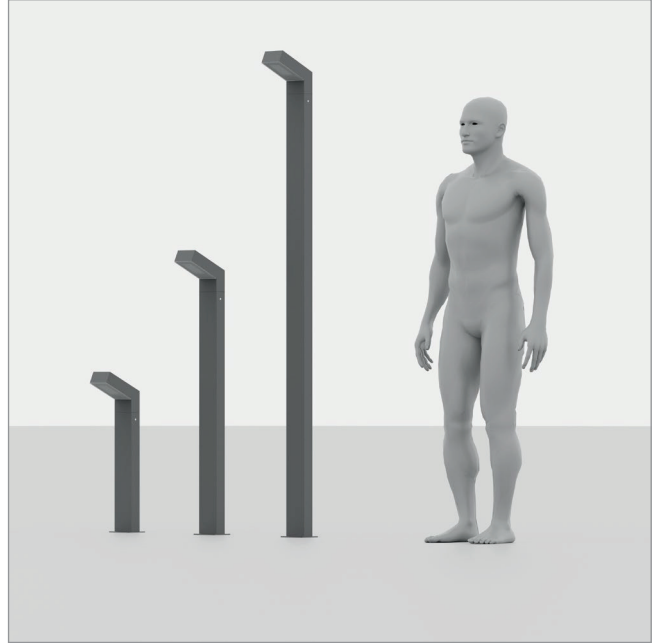
Grey

FL027.00.0000
PX4059099

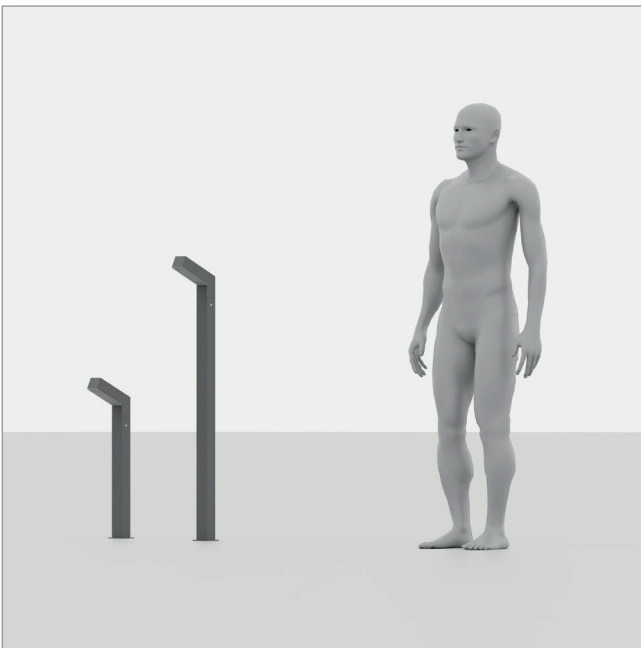
50x100 to the
ground

Grey

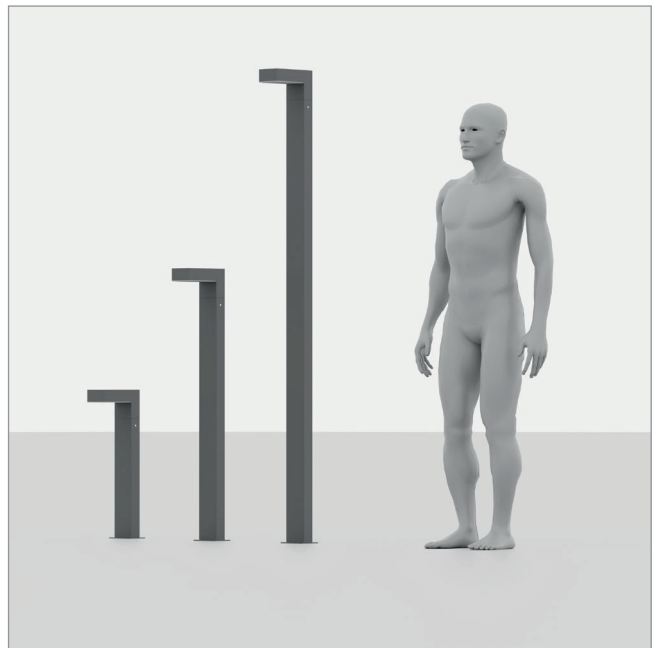
GREENLIGHT I - 115°



GREENLIGHT II - 115°



GREENLIGHT I - 90°



GREENLIGHT I - 115°



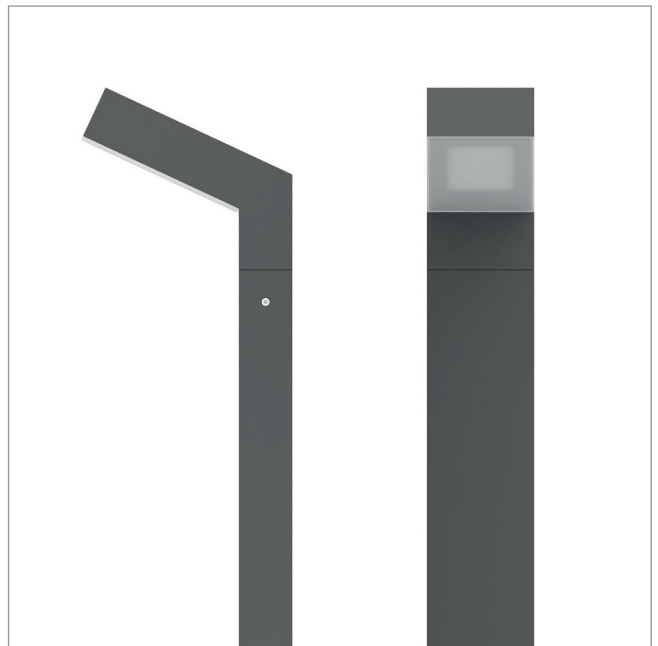
GREENLIGHT II - 115°



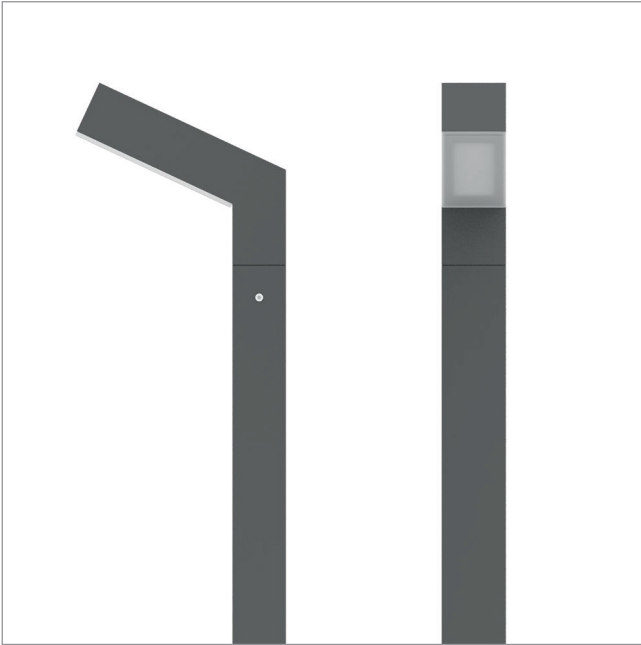
GREENLIGHT I - 90°



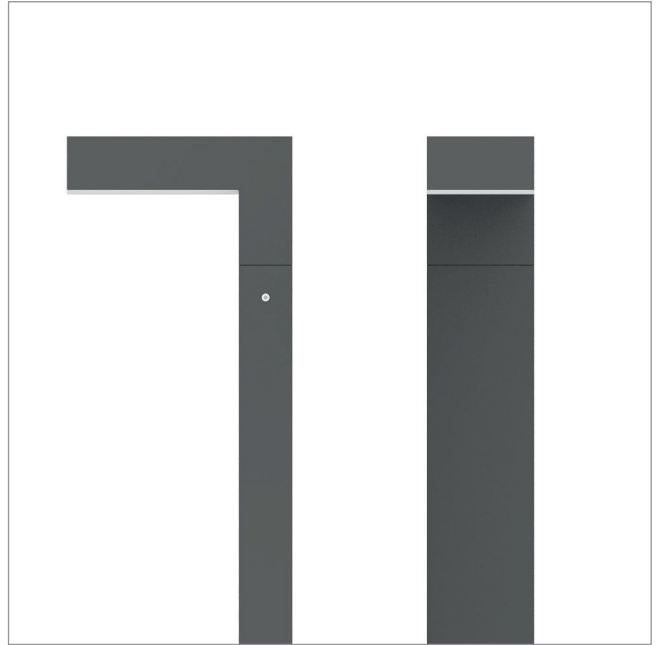
GREENLIGHT I - 115°



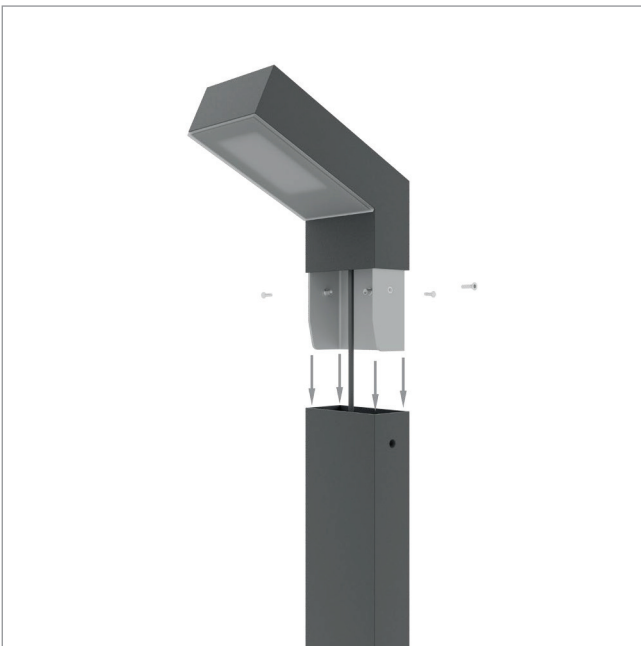
GREENLIGHT II - 115°



GREENLIGHT I - 90°



Greenlight head + pole



Accessory: base to the ground



