



GA-016 LEAN



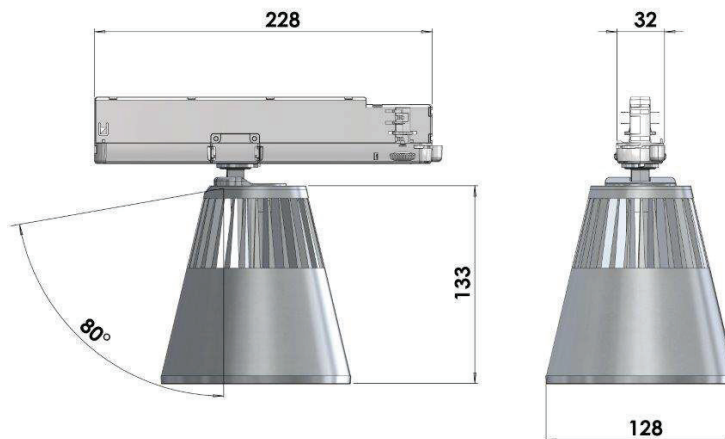
GA-016 LEAN

Input Power	LED Module Options	Color Consistency	Installation Type	Material	Beam Angles	Luminaire Color	
220 – 240V	CRI 80+ 2700K, 3000K, 3500K, 4000K, 5000K CRI 90+ 2700K, 3000K B.BBL, 3500K B.BBL, 4000K, 5000K	2-Step MacAdam	Nordic Aluminium & other 3-phase Tracks	Powder Painted Die-Cast Aluminum	1206 COB S 10° NFL 24° FL 30° WFL 50°	1212 COB S 20° NFL - FL 40° WFL 60°	White (RAL 9016) Silver (Ca. RAL 9006) Black (RAL 9005)

Output Current / Module Wattage / System Wattage:	LED Module Luminous Flux – 1206 Die Configuration:						300mA – 1050mA	
	CRI 80+ 3 000K	CRI 80+ 4 000K	CRI 80+ 5 000K	CRI 90+ 2 700K Below BBL	CRI 90+ 3 000K Below BBL	CRI 90+ 3 500K Below BBL	CRI 90+ 4 000K	
550mA / 19W / 22W	3 025Lm	3 175Lm	3 200Lm	2 450Lm	2 425Lm	2 525Lm	2 725Lm	
850mA / 31W / 35W	4 275Lm	4 500Lm	4 550Lm	3 450Lm	3 450Lm	3 600Lm	3 850Lm	
1050mA / 39W / 45W	5 075Lm	5 350Lm	5 400Lm	4 125Lm	4 150Lm	4 325Lm	4 575Lm	

Output Current / Module Wattage / System Wattage:	LED Module Luminous Flux – 1212 Die Configuration:						300mA – 1050mA	
	CRI 80+ 3 000K	CRI 80+ 4 000K	CRI 80+ 5 000K	CRI 90+ 2 700K Below BBL	CRI 90+ 3 000K Below BBL	CRI 90+ 3 500K Below BBL	CRI 90+ 4 000K	
550mA / 18W / 21W	3 150Lm	3 300Lm	3 325Lm	2 550Lm	2 525Lm	2 600Lm	2 850Lm	
850mA / 29W / 33W	4 700Lm	4 950Lm	4 975Lm	3 825Lm	3 775Lm	3 900Lm	4 250Lm	
1050mA / 36W / 42W	5 675Lm	5 975Lm	6 000Lm	4 625Lm	4 550Lm	4 700Lm	5 125Lm	

Technical Dimensions:



IP20