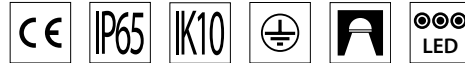


# Siena LED



Modern plafond SIENA LED - highly aesthetic and characteristic for great parameters: resistance to external conditions and UV rays with IP65 degree of protection. Available with AW 1H and AW 3H emergency module and motion sensor.

**Materials:** White version: base and diffuser made of white polycarbonate PC with UV stabilization which protects the luminaire against yellowing. Grey version: grey base, OPAL diffuser made of polycarbonate with UV stabilization which protects the luminaire against yellowing. Black version: black base, OPAL diffuser made of polycarbonate with UV stabilization which protects the luminaire against yellowing.

**Installation:** Surface mounted, wall mounted

**Power:** 230V



## ELECTRICAL DATA

Light source	LED
Type of equipment	AC
Voltage rating	220 ... 240 V
Light source included	Yes

## MECHANICAL DATA

Type of installation	Universal
Housing material	Plastic

## INFORMATION

Operating temperature range	-20 ... 35 °C
Power and luminous flux tolerance	+/-10%

## CERTIFICATES

Degree of protection (IP)	IP65
Impact resistance	IK10
Class of protection	I
Light source protection	Yes
CE	Yes

## LIGHT DATA

Light colour	White
Color rendering index	80
Light distribution	DI
Lumen maintenance	L80
Lifetime	> 72000 h

## OPTICAL DATA

Louver/ shutter	OPAL
Diffuser colour	White
Diffuser material	Opal/mat plastic

## AVAILABLE VARIANTS

Luminaire power [W]	Emergency module	Motion sensor (type)	Luminaire luminous flux [lm]	Luminaire's luminous efficacy [lm/W]	Colour temperature	ON/OFF	DALI
11	-	-	1580	144	3000K	HM001.1111.830.A000 HM001.2211.830.A000 HM001.3311.830.A000	HM001.1111.830.D000 HM001.2211.830.D000 HM001.3311.830.D000
11	-	MW	1580	144	3000K	HM001.1111.830.A001 HM001.2211.830.A001 HM001.3311.830.A001	HM001.1111.830.D001 HM001.2211.830.D001 HM001.3311.830.D001
11	EM1h	-	1580	144	3000K	HM001.1111.830.A100 HM001.2211.830.A100 HM001.3311.830.A100	HM001.1111.830.D100 HM001.2211.830.D100 HM001.3311.830.D100
11	EM1h	MW	1580	144	3000K	HM001.1111.830.A101 HM001.2211.830.A101 HM001.3311.830.A101	HM001.1111.830.D101 HM001.2211.830.D101 HM001.3311.830.D101



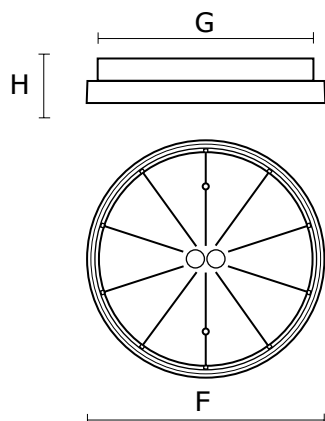
AVAILABLE VARIANTS

Luminaire power [W]	Emergency module	Motion sensor (type)	Luminaire luminous flux [lm]	Luminaire's luminous efficacy [lm/W]	Colour temperature	ON/OFF	DALI
11	EM3h	-	1580	144	3000K	HM001.1111.830.A200 HM001.2211.830.A200 HM001.3311.830.A200	HM001.1111.830.D200 HM001.2211.830.D200 HM001.3311.830.D200
11	EM3h	MW	1580	144	3000K	HM001.1111.830.A201 HM001.2211.830.A201 HM001.3311.830.A201	HM001.1111.830.D201 HM001.2211.830.D201 HM001.3311.830.D201
11	-	-	1660	151	4000K	HM001.1111.840.A000 HM001.2211.840.A000 HM001.3311.840.A000	HM001.1111.840.D000 HM001.2211.840.D000 HM001.3311.840.D000
11	-	MW	1660	151	4000K	HM001.1111.840.A001 HM001.2211.840.A001 HM001.3311.840.A001	HM001.1111.840.D001 HM001.2211.840.D001 HM001.3311.840.D001
11	EM1h	-	1660	151	4000K	HM001.1111.840.A100 HM001.2211.840.A100 HM001.3311.840.A100	HM001.1111.840.D100 HM001.2211.840.D100 HM001.3311.840.D100
11	EM1h	MW	1660	151	4000K	HM001.1111.840.A101 HM001.2211.840.A101 HM001.3311.840.A101	HM001.1111.840.D101 HM001.2211.840.D101 HM001.3311.840.D101
11	EM3h	-	1660	151	4000K	HM001.1111.840.A200 HM001.2211.840.A200 HM001.3311.840.A200	HM001.1111.840.D200 HM001.2211.840.D200 HM001.3311.840.D200
11	EM3h	MW	1660	151	4000K	HM001.1111.840.A201 HM001.2211.840.A201 HM001.3311.840.A201	HM001.1111.840.D201 HM001.2211.840.D201 HM001.3311.840.D201
18	-	-	2505	139	3000K	HM002.1111.830.A000 HM002.2211.830.A000 HM002.3311.830.A000	HM002.1111.830.D000 HM002.2211.830.D000 HM002.3311.830.D000
18	-	MW	2505	139	3000K	HM002.1111.830.A001 HM002.2211.830.A001 HM002.3311.830.A001	HM002.1111.830.D001 HM002.2211.830.D001 HM002.3311.830.D001
18	EM1h	-	2505	139	3000K	HM002.1111.830.A100 HM002.2211.830.A100 HM002.3311.830.A100	HM002.1111.830.D100 HM002.2211.830.D100 HM002.3311.830.D100
18	EM1h	MW	2505	139	3000K	HM002.1111.830.A101 HM002.2211.830.A101 HM002.3311.830.A101	HM002.1111.830.D101 HM002.2211.830.D101 HM002.3311.830.D101
18	EM3h	-	2505	139	3000K	HM002.1111.830.A200 HM002.2211.830.A200 HM002.3311.830.A200	HM002.1111.830.D200 HM002.2211.830.D200 HM002.3311.830.D200
18	EM3h	MW	2505	139	3000K	HM002.1111.830.A201 HM002.2211.830.A201 HM002.3311.830.A201	HM002.1111.830.D201 HM002.2211.830.D201 HM002.3311.830.D201
18	-	-	2630	146	4000K	HM002.1111.840.A000 HM002.2211.840.A000 HM002.3311.840.A000	HM002.1111.840.D000 HM002.2211.840.D000 HM002.3311.840.D000
18	-	MW	2630	146	4000K	HM002.1111.840.A001 HM002.2211.840.A001 HM002.3311.840.A001	HM002.1111.840.D001 HM002.2211.840.D001 HM002.3311.840.D001
18	EM1h	-	2630	146	4000K	HM002.1111.840.A100 HM002.2211.840.A100 HM002.3311.840.A100	HM002.1111.840.D100 HM002.2211.840.D100 HM002.3311.840.D100
18	EM1h	MW	2630	146	4000K	HM002.1111.840.A101 HM002.2211.840.A101 HM002.3311.840.A101	HM002.1111.840.D101 HM002.2211.840.D101 HM002.3311.840.D101
18	EM3h	-	2630	146	4000K	HM002.1111.840.A200 HM002.2211.840.A200 HM002.3311.840.A200	HM002.1111.840.D200 HM002.2211.840.D200 HM002.3311.840.D200

## AVAILABLE VARIANTS

Luminaire power [W]	Emergency module	Motion sensor (type)	Luminaire luminous flux [lm]	Luminaire's luminous efficacy [lm/W]	Colour temperature	ON/OFF	DALI
18	EM3h	MW	2630	146	4000K	HM002.1111.840.A201 HM002.2211.840.A201 HM002.3311.840.A201	HM002.1111.840.D201 HM002.2211.840.D201 HM002.3311.840.D201
23	-	-	3440	150	3000K	HM003.1111.830.A000 HM003.2211.830.A000 HM003.3311.830.A000	HM003.1111.830.D000 HM003.2211.830.D000 HM003.3311.830.D000
23	-	MW	3440	150	3000K	HM003.1111.830.A001 HM003.2211.830.A001 HM003.3311.830.A001	HM003.1111.830.D001 HM003.2211.830.D001 HM003.3311.830.D001
23	EM1h	-	3440	150	3000K	HM003.1111.830.A100 HM003.2211.830.A100 HM003.3311.830.A100	HM003.1111.830.D100 HM003.2211.830.D100 HM003.3311.830.D100
23	EM1h	MW	3440	150	3000K	HM003.1111.830.A101 HM003.2211.830.A101 HM003.3311.830.A101	HM003.1111.830.D101 HM003.2211.830.D101 HM003.3311.830.D101
23	EM3h	-	3440	150	3000K	HM003.1111.830.A200 HM003.2211.830.A200 HM003.3311.830.A200	HM003.1111.830.D200 HM003.2211.830.D200 HM003.3311.830.D200
23	EM3h	MW	3440	150	3000K	HM003.1111.830.A201 HM003.2211.830.A201 HM003.3311.830.A201	HM003.1111.830.D201 HM003.2211.830.D201 HM003.3311.830.D201
23	-	-	3610	157	4000K	HM003.1111.840.A000 HM003.2211.840.A000 HM003.3311.840.A000	HM003.1111.840.D000 HM003.2211.840.D000 HM003.3311.840.D000
23	-	MW	3610	157	4000K	HM003.1111.840.A001 HM003.2211.840.A001 HM003.3311.840.A001	HM003.1111.840.D001 HM003.2211.840.D001 HM003.3311.840.D001
23	EM1h	-	3610	157	4000K	HM003.1111.840.A100 HM003.2211.840.A100 HM003.3311.840.A100	HM003.1111.840.D100 HM003.2211.840.D100 HM003.3311.840.D100
23	EM1h	MW	3610	157	4000K	HM003.1111.840.A101 HM003.2211.840.A101 HM003.3311.840.A101	HM003.1111.840.D101 HM003.2211.840.D101 HM003.3311.840.D101
23	EM3h	-	3610	157	4000K	HM003.1111.840.A200 HM003.2211.840.A200 HM003.3311.840.A200	HM003.1111.840.D200 HM003.2211.840.D200 HM003.3311.840.D200
23	EM3h	MW	3610	157	4000K	HM003.1111.840.A201 HM003.2211.840.A201 HM003.3311.840.A201	HM003.1111.840.D201 HM003.2211.840.D201 HM003.3311.840.D201

## DIMENSIONS



H [mm]	F [mm]
60	330

H = Height / Depth | F =  
Outer diameter

