

Geometric Arc LED



A family of LED luminaires in the shape of a half-round. Thanks to their modern and universal shape, GEOMETRIC ARC LED luminaires can be used in any type of space inside a building. Inline installation and connection with GEOMETRIC LINE LED is possible.

Materials: powder painted aluminum profile (grey colour in standard). OPAL diffuser.

Installation: suspended (to suspend the luminaire you will need: simple suspension – 2 pcs and electric suspension – 1 pc)

Accessories: end caps, suspension (simple, electric), invisible linear joint

Power: 230V

ELECTRICAL DATA

Light source	LED
Number of light sources	1
Type of equipment	AC
Voltage rating	220 ... 240 V
Light source included	Yes
Power factor	0.96

MECHANICAL DATA

Type of installation	Suspended
Housing material	Aluminum
Designed for light-line	Yes

INFORMATION

Colour	Grey
Operating temperature range	-15 ... 40 °C

CERTIFICATES

Degree of protection (IP)	IP40
Class of protection	I
Light source protection	Yes
CE	Yes
HACCP+	Yes
Power Flicker	=< 3%

LIGHT DATA

Luminaire's luminous efficiency	59 %
Light colour	White
Color rendering index	84
Light distribution	Wide beam
Light distribution	DI
Class of luminaire	I
Light output degradation	B10
Lumen maintenance	L80
Lifetime	> 72000 h
MacAdam	SDCM 3
Lamp Lumen Maintenance Factor (after 60 000h)	84 %

OPTICAL DATA

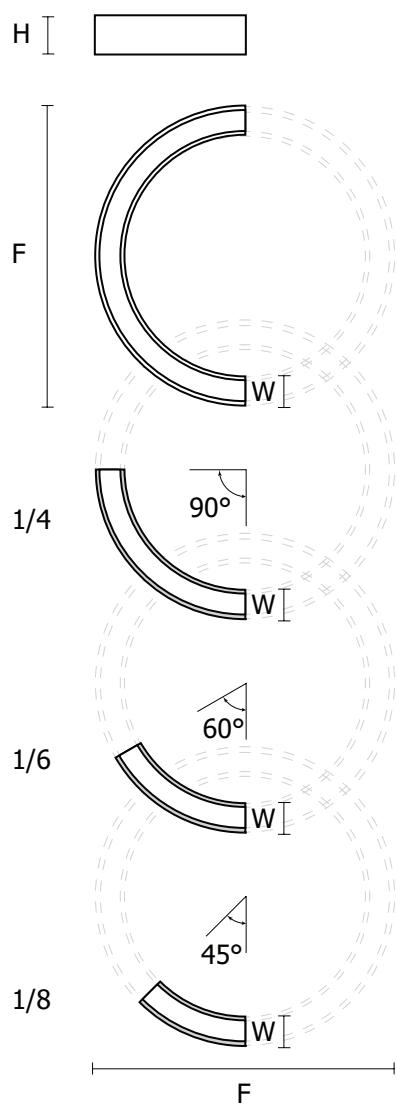
Louver/ shutter	OPAL
Diffuser colour	White
Diffuser material	Opal plastic



AVAILABLE VARIANTS

Product code	Luminaire power [W]	Luminaire luminous flux [lm]	Luminaire's luminous efficacy [lm/W]	Colour temperature	Info	Weight [kg]
EC001.2211.830.A010 PX4090753	45	4360	97	3000K	1/2-Ring-180°	3.50
EC001.2211.840.A010 PX4090756	45	4490	100	4000K	1/2-Ring-180°	3.50
EC002.2211.830.A010 PX4090759	70	7060	101	3000K	1/2-Ring-180°	5.10
EC002.2211.840.A010 PX4090762	70	7270	104	4000K	1/2-Ring-180°	5.10
EC003.2211.830.A010 PX4091029	30	2910	97	3000K	1/8-Ring-45°	2.20
EC003.2211.840.A010 PX4091036	30	2990	100	4000K	1/8-Ring-45°	2.20
EC004.2211.830.A010 PX4091015	40	3940	99	3000K	1/6-Ring-60°	2.80
EC004.2211.840.A010 PX4091022	40	4060	102	4000K	1/6-Ring-60°	2.80
EC005.2211.830.A010 PX4091001	60	6020	100	3000K	1/4-Ring-90°	4.00
EC005.2211.840.A010 PX4091008	60	6200	103	4000K	1/4-Ring-90°	4.00





DIMENSIONS

Product code	W [mm]	H [mm]	F [mm]
EC001.2211.830.A010 PX4090753	100	62	800
EC001.2211.840.A010 PX4090756	100	62	800
EC002.2211.830.A010 PX4090759	100	62	1200
EC002.2211.840.A010 PX4090762	100	62	1200
EC003.2211.830.A010 PX4091029	100	62	2000
EC003.2211.840.A010 PX4091036	100	62	2000
EC004.2211.830.A010 PX4091015	100	62	2000
EC004.2211.840.A010 PX4091022	100	62	2000
EC005.2211.830.A010 PX4091001	100	62	2000
EC005.2211.840.A010 PX4091008	100	62	2000

W = Width | H = Height / Depth | F = Outer diameter

ACCESSORIES

Electric element



Electrical suspension
Pieces in set: 1

FS002.22.1500
PX0922077

Grey

FS002.11.1500
PX0922083

White

FS002.33.1500
PX0922090

Black

Structural element

Geometric Arc/Line LED End Caps
Pieces in set: 2

FE021.22.0000
PX4090765

Grey

Connecting element

Geometric Arc/Line LED set for inline installation
Pieces in set: 2

FJ021.00.0000
PX4090768

Grey

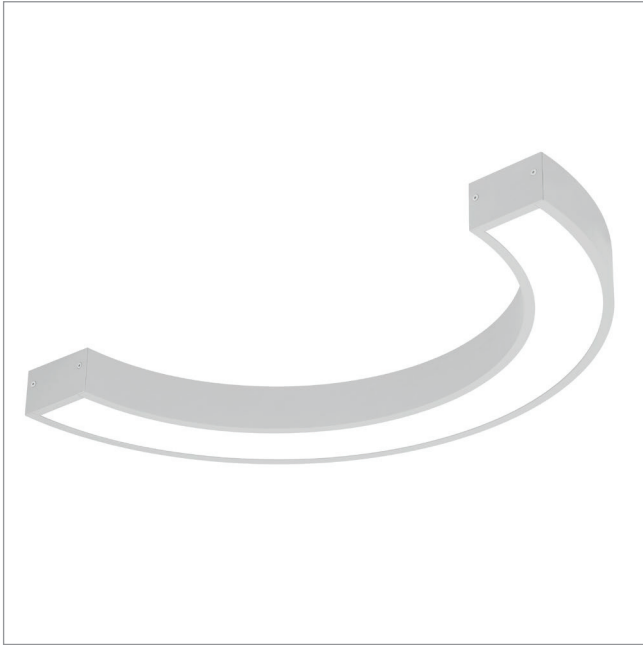
Installation element



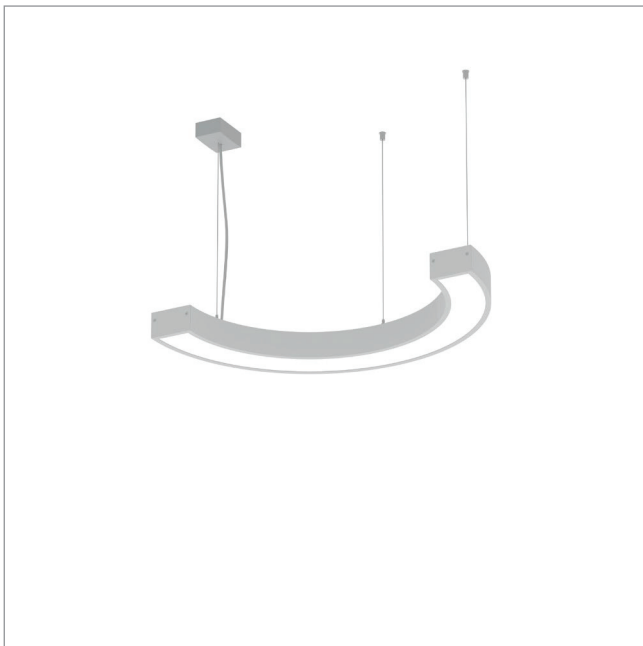
Simple suspension
Pieces in set: 1

FS001.00.1500
PX0922149

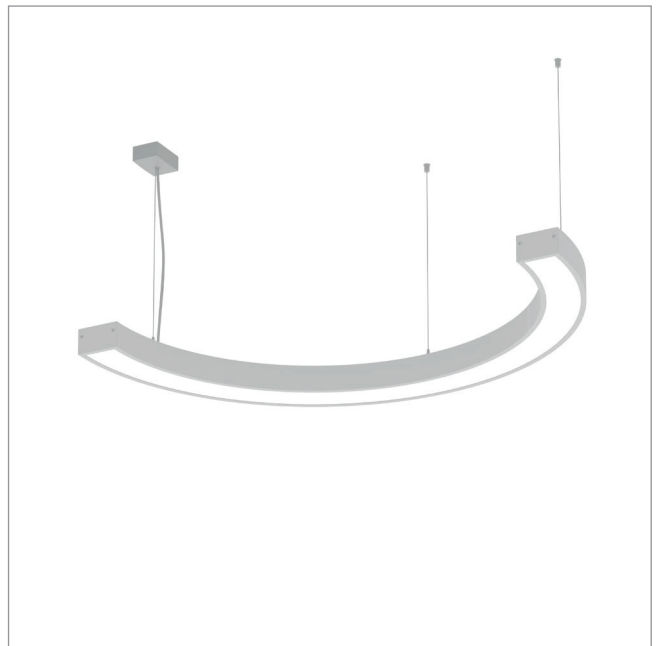
Geometric ARC LED ON



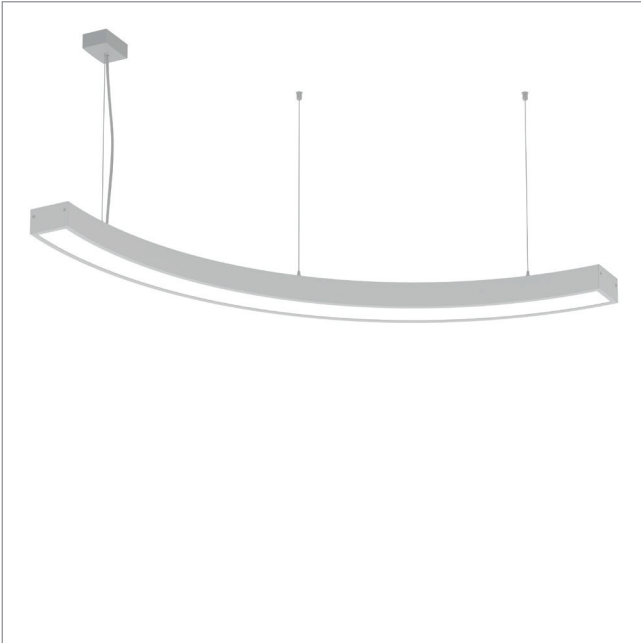
1/2-RING-180° 800mm



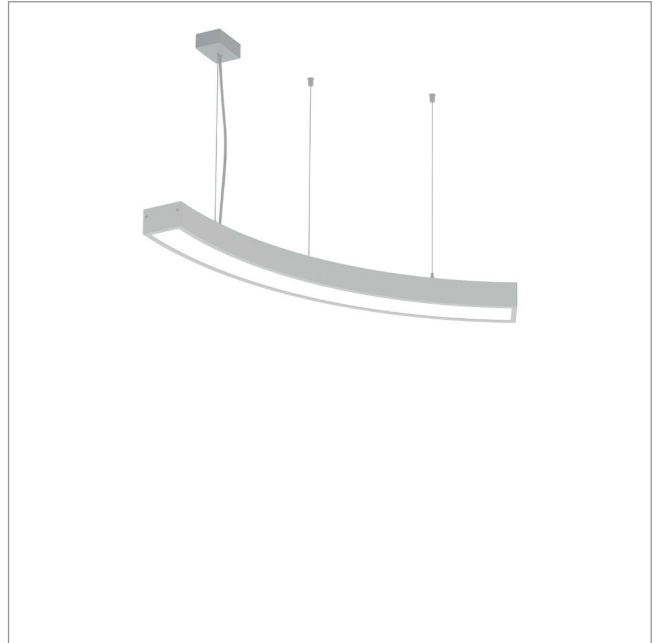
1/2-RING-180° 1200mm



1/4-RING-90° 2000mm



1/6-RING-60° 2000mm



1/8-RING-45° 2000mm

